

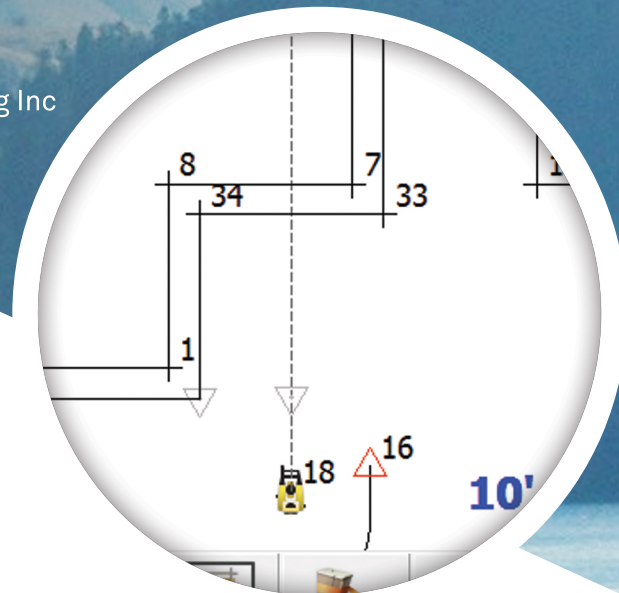


Absolute Accuracy Inc
 2451 Riverside Drive Los Angeles, CA 90039
 phone: (800) 821-9656 or (323) 662-9237
 web: www.aaisurvey.com email: info@aaisurvey.com



MicroSurvey CAD and FieldGenius are the best survey/drafting system I've ever seen, and I've seen and used them all ... There's no one more zealous than a true convert, and I'm about as converted as they get. Keep up the great work.

-Hugh S Coutts, OLS
 of Coutts and Flim Surveying Inc



ABOUT US

Thank you for your interest in FieldGenius – the most productive and easy-to-use data collection software solution ever!

If you are new to FieldGenius, you will be impressed by its graphic user interface, one-screen graphical stakeouts, easily deciphered raw file that you can edit, powerful COGO tools, DXF file support, streamlined connection to your instrument or computer, multi-point resections, roading, training movies, and the easiest, most powerful linework tools in the industry.

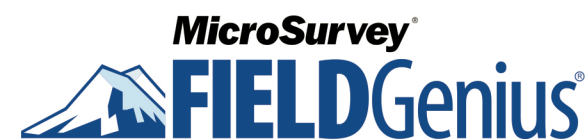
WE ARE READY TO BE YOUR SOFTWARE SOLUTIONS.

MICROSURVEY SOFTWARE INC.

Head office:
 #205-3500 Carrington Rd,
 West Kelowna, Canada

- 800-668-3312
- marketing@microsurvey.com
- www.microsurvey.com

EASY-TO-USE DATA COLLECTION SOFTWARE



DATA COLLECTION SOFTWARE

FieldGenius gives you a competitive advantage in the field. Some of our customers have reported up to a 30% reduction in the time it takes them to complete a job because of the advantages FieldGenius offers.

FIELDGENIUS IS THE MOST EASY-TO-USE DATA COLLECTION SOFTWARE IN THE WORLD



Simple Linework

MicroSurvey has developed the simplest linework connectivity in the industry. Absolutely NO CODING is required to generate your linework in the field in real time. Other data collection systems force you to predefine codes for generating linework.



Powerful Roding

FieldGenius roading allows you to manually input or import your alignment data including centerline, vertical and template data. Powerful alignment staking tools help you stake your points along your alignment with confidence.



Instrument Control at your Fingertips

Total Station and GPS functions are available on a common and easy-to-use instrument toolbar. Access measure modes with the click of a button.



User Definable Shortcuts

Increase your productivity by assigning frequently used commands to keys on your data collector.



Digital Terrain Modeling, Volumes and Contouring

FieldGenius has the ability to utilize DTM surfaces from existing survey data or create a DTM in real time as the data is collected. The TIN and contours will automatically update as each new shot is taken.



Georeferenced Images

Use georeferenced images and maps to visualize data in the background of your survey work.



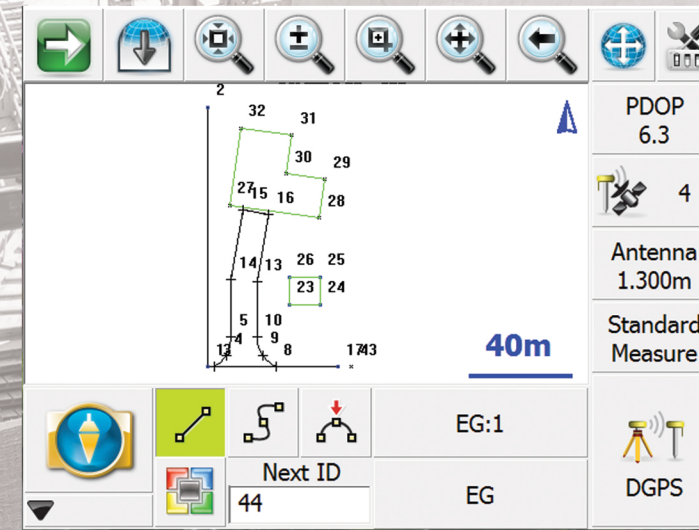
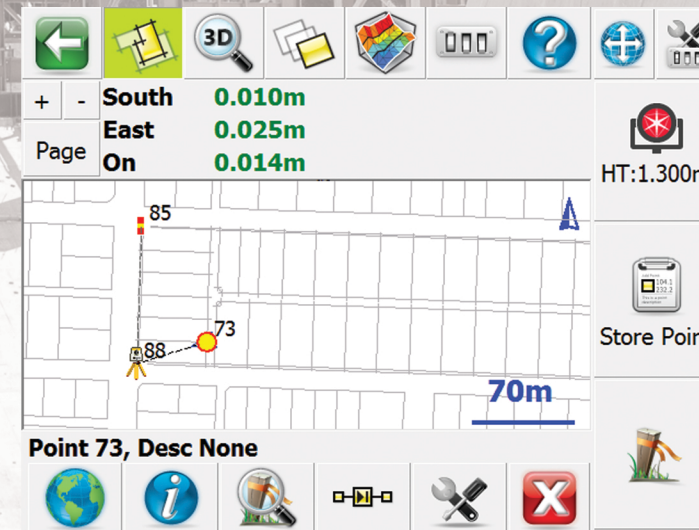
Powerful RPN Calculator

FieldGenius includes an easy-to-use and intuitive RPN calculator. Quick access to the calculator from any edit field makes survey calculations and routines a breeze.



A Winning Combination

FieldGenius software is bundled with all hardware configurations – making the best use of standard and high definition displays with large buttons and crisp graphics.



You'll find FieldGenius is the easiest system to generate the most accurate drawing from shots in the field.

OUR EDITIONS.



STANDARD

Modern Windows interface with smart menus, smart objects, and incredible graphics

Real-time drawing generation with automatic linework

Built in COGO – intersections, inverting, and traversing

Enter, edit, and stake points

DXF coordination of lines, arcs, polylines, points, etc.

Traverse closure calculations, angular adjustment, and compass balance



PREMIUM

Surface modeling in real-time

LandXML alignment, cross section, and zone staking

Fixed area calculations and volume calculations

Video point scanning

Automatic "Turn to Point"

Assign robotic functions to keypad keys

Support for Leica, GeoMax, SOUTH, KOLIDA, PENTAX, STONEX, FOIF, and many more