

**sēco**

**INVEST IN THE BEST**



**Absolute Accuracy Inc**

2451 Riverside Drive Los Angeles, CA 90039

phone: (800) 821-9656 or (323) 662-9237

web: [www.aaisurvey.com](http://www.aaisurvey.com) email: [info@aaisurvey.com](mailto:info@aaisurvey.com)



**CONSTRUCTION & SAFETY**

## SECO Manufacturing Invest in the Best For the Construction and Safety Industries

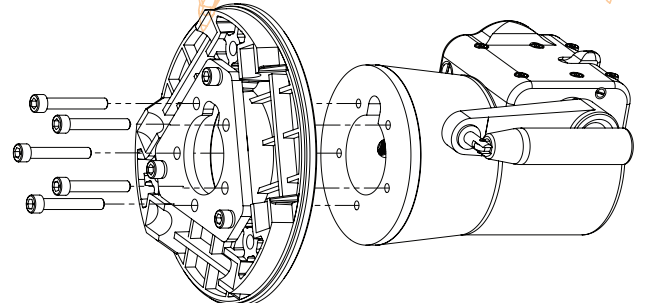
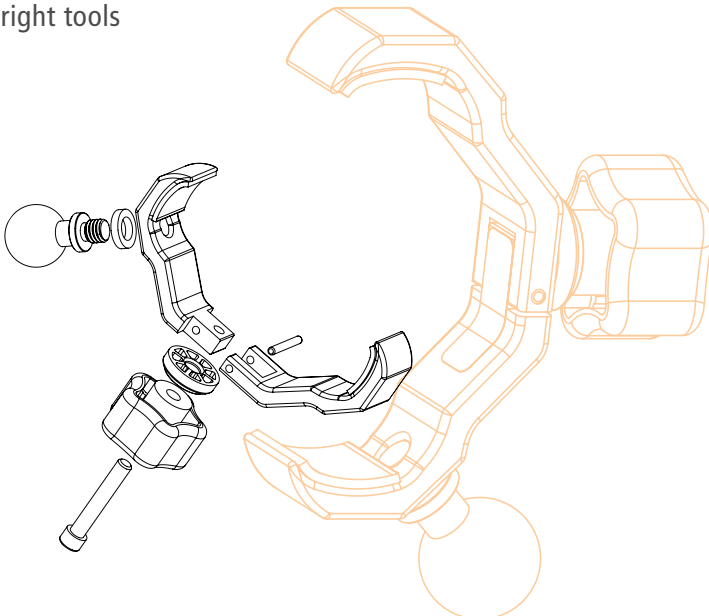
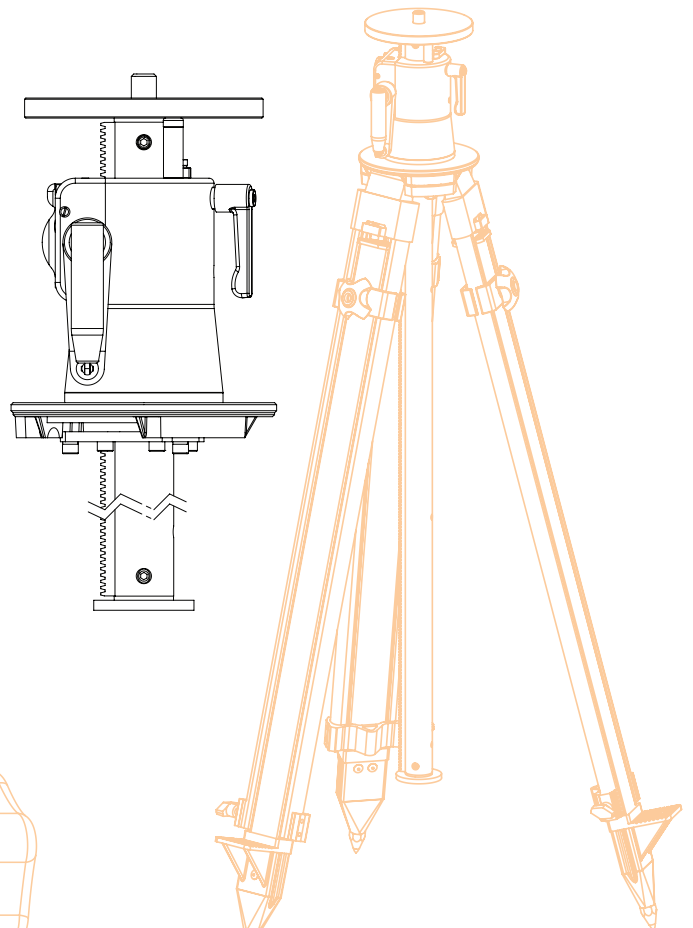
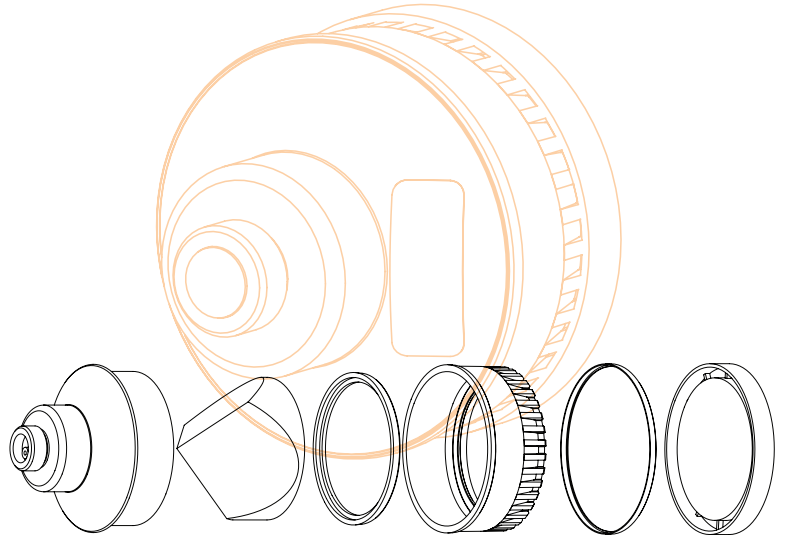
### SECO is known for:

**Quality** – SECO professionals understand real-world requirements for workers in the field and on the jobsite – our in-house engineering, manufacturing and production standards ensures quality for safer, more efficient outcomes

**Product Line Depth** – More than 1,600 products for the job, whatever the requirements – SECO engineers welcome suggestions from the field for accessories to meet the latest requirements for today's construction industry

**Dependability** – SECO products are designed for harsh environments – make work easier – finish the job faster – be safer on site

**Ease of Use** – efficiency is built in – products are designed for specific purpose in the field – be confident because the job is easier with the right tools



## Tripods and Accessories



### Tri-Max® Tripods

- ▶ The revolutionary design of this tripod series means this tripod will meet ISO standard (12858-2-H) right out of the box, and after years of field use
- ▶ The shape and size of the foot are designed to allow for a solid placement on any terrain
- ▶ Features a round head with large center hole to facilitate an easy set-up over a point
- ▶ Long lasting fiberglass

Part No.	LOCK TYPE	LEGS	WEIGHTS	EXTENSION	HEAD
90550	Quick Clamp	Fiberglass	17.00 lb (7.70 kg)	71 in (1.8 m)	Flat
90551	Screw Clamp	Fiberglass	17.00 lb (7.70 kg)	71 in (1.8 m)	Flat
90553	Dual Clamp	Fiberglass	17.00 lb (7.70 kg)	71 in (1.8 m)	Flat
90560	Dual Clamp	Fiberglass	20.00 lb (9.00 kg)	91 in (2.3 m)	Flat



Disclaimer: the full-view tripod is a composite photograph for illustrative purposes

### ▶ Improved kiln dried birch wood / fiberglass hybrid tripod models

PART NO.	MATERIAL	EXTENDED	COLLAPSES	CLAMPING	HEAD	COLOR
5302-13-BLK	Wood / Fiberglass	69" (175.26 cm)	43" (109 cm)	Quick Clamp	Triangle	Black
5302-13-ORG	Wood / Fiberglass	69" (175.26 cm)	43" (109 cm)	Quick Clamp	Triangle	Orange
5402-13-BLK	Wood / Fiberglass	72" (183 cm)	43" (109 cm)	Twist Locks	Triangle	Black
5402-13-ORG	Wood / Fiberglass	72" (183 cm)	43" (109 cm)	Twist Locks	Triangle	Orange



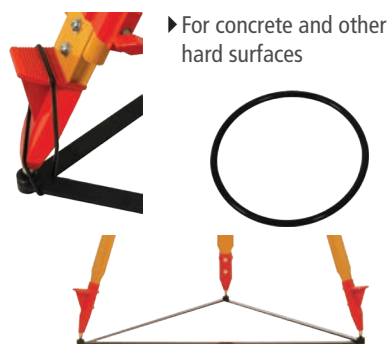
5321-17-ORG — Extra-Tall Fiberglass Elevator Tripod  
90558 — Universal Tri-Max® Elevator Tripod  
5321-16-BLK — Aluminum Elevator Tripods



5301-31-ORG  
5301-31-BLK  
Square Leg, Quick Clamp, Aluminum Tripod



5301-21-ORG  
5301-21-BLK  
5301-25-BLK  
Round Leg, Quick Clamp, Aluminum Tripod



▶ For concrete and other hard surfaces

5610-00 — Tripod Stabilizer



▶ For hard, slick surfaces

5610-01 — Tripod Stabilizer

▶ Cleats for soft surfaces

5610-11 — Sta-Level Feet Tripod Stabilizer (w/ Rubber Pads)



▶ Magnets for ferrous metal surfaces

5610-12 — Tripod Anchor Kit



For more information go to [Surveying.com](http://Surveying.com)

## Rods

### Aluminum Builder's Rods



PART NO.	SECTIONS	LENGTH	GRADS
7321-30	3	9 ft, 9.5 in	8ths
7301-30	3	9.8 ft	10ths
7321-40	4	13 ft, 1.38 in	8ths
7301-40	4	13.12 ft	10ths
7341-40	4	4 m	5 mm
7321-50	5	16 ft, 4.75 in	8ths
7301-50	5	16.4 ft	10ths

### Standard/Pro Series (LR) Leveling Rods

PART NO.	LENGTH	OUTSIDE DIAMETER	GRADS
90004	LR-STD 25 ft	1-5/8 inch	10ths
90009	LR-STD 25 ft	1-5/8 inch	8ths
90014	LR-STD 7.6 m	1-5/8 inch	Metric
90022	LR-PRO 25 ft	2 inch	10ths
90024	LR-PRO 35 ft	2-3/16 inch	10ths
90026	LR-PRO 45 ft	2-3/16 inch	10ths



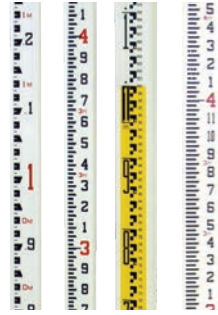
Round design makes the LR Series rods a good choice for certain applications like in areas of high wind.

### SK Leveling Rods



PART NO.	LENGTH	GRADS	BACK SIDE SCALE
7400-10	25 ft (6 m)	10ths	Yes
7400-20	25 ft (6 m)	8ths	Yes
7400-30	25 ft (6 m)	Metric	Yes

### Rectangular Series (CR) Leveling Rods



Rectangular shape allows for laser detectors to be mounted directly to the rod – no bracket required!

PART NO.	LENGTH	GRADS	BACK SIDE SCALE
92001	8 ft	10ths	No
92002	8 ft	8ths	No
92021	13 ft	10ths	No
92022	13 ft	8ths	No
92041	16 ft	10ths	No
92042	16 ft	8ths	No
92031	20 ft	10ths	No
92032	20 ft	8ths	No
92026	4.0 m	'E' metric	Yes
92027	4.0 m	0.5 cm metric	No
92046	5.0 m	'E' metric	Yes
92047	5.0 m	0.5 cm metric	No
92048	5.0 m	British 'E' metric	Yes
92043	5.0 m	Philly metric	No

### 'E' Pattern Builder's Rods

PART NO.	LENGTH	GRADS	BACK SIDE SCALE	WEIGHTS
7341-41	4 m	cm	Height Scale MM	3.10 lb (1.40 kg)
7341-45	4 m	mm	Standard Scale MM	3.10 lb (1.40 kg)
7341-51	5 m	cm / mm	Standard Scale MM	3.80 lb (1.73 kg)
7341-52	5 m	cm / inches	Standard Scale MM	3.80 lb (1.73 kg)
7341-55	5 m	cm / mm	Height Scale MM	3.80 lb (1.73 kg)
7341-56	5 m	UK cm / mm	Standard Scale MM	3.80 lb (1.73 kg)



### Surveyor's Series (SVR) Leveling Rods

PART NO.	HEIGHT SCALE	LENGTH	GRADS	BACK SCALE
98010	Height Scale	25 ft (7.6 m)	10ths	No
98011	Height Scale	25 ft (7.6 m)	8ths	No
98012	Height Scale	25 ft (7.6 m)	0.5 cm metric	No
98013	Height Scale	25 ft (7.6 m)	'E' metric	Yes
98014	Height Scale	25 ft (7.6 m)	Philly metric	No
98015	Dual Scale	25 ft (7.6 m)	8ths / 10ths	No
98016	Dual Scale	25 ft (7.6 m)	10ths / Philly Metric	No
98017	Dual Scale	25 ft (7.6 m)	10ths / 10ths	No
98020	Height Scale	17 ft (5.18 m)	10ths	No
98021	Height Scale	17 ft (5.18 m)	8ths	No
98023	Height Scale	17 ft (5.18 m)	'E' metric	Yes
98024	Height Scale	17 ft (5.18 m)	Philly metric	No
98025	Dual Scale	17 ft (5.18 m)	8ths / 10ths	No
98026	Dual Scale	17 ft (5.18 m)	10ths / Philly metric	No



Rectangular-oval shape allows for wide, glare resistant and wear-resistant scales.

## Rod Accessories



7321-050 — Leveling Rod Vial



5001-10 — Standard Rod Level



5001-12 — Snap-On Rod Level



5001-20 — Heads-Up™ Level – 40-minute Vial



91255 — Snap-Tite SVR Rod Level



91535 — Snap-Tite CR Rod Level

91014 — 6-inch Caliper for SVR/Oval Rods and CMR Ruler



91275 — USL/SVR Hook



6601-01 — Swiss-Style Prism Adapter 1/4 x 20 Threads



5217-21-FOR — Leveling Rod Thumb Release Bipod



► Easily attaches to SVR rods



70014-6 — Round 17 mm Button  
70014-7 — Round 13 mm Button w/ Ring



91133 — 5/8 x 11 Double Male Prism Adapter



7304-01 — Leveling Plate (Turtle)



91258 — 5/8 x 11 Prism Mounting Adapter Kit



5217-20-FLY — Invar Rod Thumb Release Bipod



PART NO.	MOUNT TYPE	DESIGNED FOR
91100	Top	Universal
91162	Top	Storm® HL700/750/450
91163	Side	Storm HL700/750/450

## Detectors



ATI994000-09 — Storm Laserometer Receiver – Yellow



ATI993600-09 — Lightning 2 Laser Detector – Yellow



ATI991370-02 — Bullseye 5+ Laser Receiver



ATI991340-02 — Bullseye 3+ Laser Receiver



DET-2 — Construction Theodolite  
DE-50 — Diagonal Eye Piece



DE-50  
Optional eye piece sold separately

ATI991360-02 — Bullseye Magnetic Mount - For Backhoe and Excavator  
ATI991364-02 — Bullseye Magnetic Mount - For Flat Back Dozer Blades



## Scanner Spheres and Laser Scanner Accessories



- ▶ 100 mm OD lightweight aluminum sphere
- ▶ Precision design, allowable deviation < 1 mm
- ▶ Female 1/4 x 20 threaded mounting
- ▶ Painted non-glare white

6703-001 — 100 mm Scanner Sphere

- ▶ Lightweight aluminum scanner sphere
- ▶ 230 mm diameter, accuracy < 2 mm
- ▶ Female 5/8 x 11 threaded mounting
- ▶ Painted non-glare white
- ▶ Center height is 114 mm from bottom flat

6704-001 — 230 mm Scanner Sphere

- ▶ Pelican® hard shell case features custom foam keeping spheres, prisms, adapters, etc., safe and secure
- ▶ 6703-11 includes ten 100 mm scanner spheres and ten magnets with 1/4 x 20 studs



6703-11 — 10 piece 100 mm Sphere Kit includes Hard Case

6703-014 — Pelican Case for 100 mm Spheres (spheres sold separately)



- ▶ 25 mm silver-coated prism
- ▶ -17.5 mm offset
- ▶ Length is 72.5 mm prism center to connections
- ▶ 5/8 x 11 female and magnetic connection



6703-012 — 72.5 HT Prism Assembly with Magnet



- ▶ Lightweight aluminum sphere and ceramic grade 8 magnet
- ▶ Steel cup OD 2.03 inches
- ▶ Stainless steel 1/4 x 20 stud
- ▶ Center height: 72.5 mm
- ▶ Magnet is chrome coated steel cup and offers 40 pull pounds
- ▶ 100 mm OD roundness < 1 mm
- ▶ 1/4 x 20 threaded mounting
- ▶ Painted non-glare white

6703-10 — 100 mm Scanner Sphere with Magnet

- ▶ 6703-20 includes six 100 mm scanner spheres and six magnets with 1/4 x 20 studs
- ▶ Sphere center height with magnet: 72.5 mm

6703-20 — 6 piece 100 mm Sphere Kit includes Soft Case



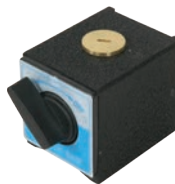
- ▶ Six padded compartments
- ▶ Made from 1000D Cordura with 2 inch padded foam and includes a carrying handle

8082-01-ORG — Soft Case for 100 mm Scanner Spheres



- ▶ Brass washers centers to 6703-002 magnet base connection
- ▶ 90 pounds of pull force
- ▶ Connects to pipes and flat surfaces

6703-013 — V-Base with Washer Magnet



2070-02 — 3/8 x 16 Tribrach Adapter

6703-011 — 196 mm HT Tribrach Adapter for TX5/FARO3D



6703-015 — Quick Release Adapter for Trimble TX5 and Faro Focus 3D



6704-003 — 21 mm Male and Female 5/8 x 11 Adapter



6704-004 — 48 mm Male and Female 5/8 x 11 Adapter



6704-10-CASE — Carrying Case solo D12560 — Cloth cover for the 230 mm sphere  
6704-10 — Hard Case and three (3) 230 mm Scanner Spheres

- ▶ Carbon Fiber Thumb Release Bipod uses the same design concepts as the SECO aluminum Thumb Release Bipod, but weighs less
- ▶ 1- to 1.25-inch (25.6- to 32-mm) diameter poles attach easily through the open clamp
- ▶ 1.5-inch (38.1-mm) OD poles can be loaded through the top
- ▶ Collapses to 43-inches (109-cm)
- ▶ Legs (independently) extend to 6-feet (1.8-m)



5219-03 — Carbon Fiber Thumb Release Bipod

- ▶ Rubber tips on stainless-steel legs prevent scratching of delicate surfaces
- ▶ Folding legs make tripod very portable
- ▶ Made of anti-corrosive materials
- ▶ Steel-plated washer atop tripod easily attaches to scanner sphere
- ▶ Height is 39 mm
- ▶ Weighs 0.15 lb (0.07 kg)
- ▶ (Sphere not included)



6703-008 — Scanner Sphere Mini Tripod



6704-002 — Magnet with 5/8 x 11 Stud



6703-002 — Magnet with 1/4 x 20 Stud



6703-007 — Wall Washer Adapter

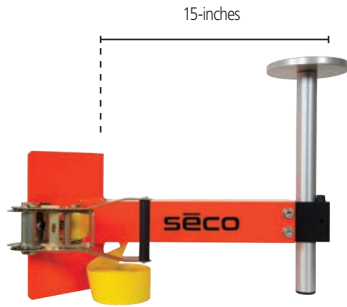


6703-005 — 5/8 x 11, 72.5 mm HT Adapter

## Column Clamps

- ▶ Designed to provide stability and support

4852-16 — Heavy-Duty Column Clamp



4852-18 — Heavy-Duty Instrument Column Clamp



4852-15 — Rotating Laser Column Clamp



4852-14 — Batter Board Clamp



4852-17 — Wall/Column Bracket for Lasers and Total Stations



## Hands Free Tablet Harnesses

- ▶ Provides secure hands-free operation during field use
- ▶ When purchased with the correct tablet bracket, each of these harnesses provide reliable hands-free operation
- ▶ Over one shoulder model allows for easy on/off operation (5200-95)
- ▶ Two-shoulder model allows for tighter movement and helps reduce fatigue for day-long operation (5200-96)
- ▶ Ball-and-Socket designs allows a tablet to be in multiple positions and very easy to adjust
- ▶ Mounts to tablet bracket using standard 1-1/2 inch ram ball connection
- ▶ 5200-95 and -96 come with 1-1/2 inch RAM ball
- ▶ Mount is made from a 0.080-inch (2.03-mm) black powder-coated aluminum sheet metal
- ▶ Tablet brackets allow all ports, connections, and antenna to be accessible with the bracket attached

5200-95



### FOR TABLETS THAT HAVE THE QUICK RELEASE BRACKET ATTACHED

BRACKET PART NO.	FIT
5200-39-051	Yuma 2/Yuma 7/T-7
5200-40-051	Kenai/T-10
5200-42-051	FZ-G1 With Radio
5200-44-051	TSC7/Ranger7

Note: Tablet not included.  
Brackets sold separately.

5200-96



### COMPLETE WITH TABLET BRACKET AND RAM LINK

BRACKET PART NO.	FIT
5200-29-051	FZ-M1
5200-30-051	FZ-G1/CS35
5200-31-051	Getac T800
5200-35-051	Tesla, Mesa 2/3/FC 5000/RT3/4
5200-37-051	Yuma 2, T-7, 7" Rugged Tablet
5200-38-051	Kenai, 10" Rugged Tablet
5200-41-051	FZ-G1 with Radio
5200-44-051	TSC7/Ranger7 (RAM 1.5 inch)

5200-39-052



5200-95 — One Shoulder Tablet Harness  
5200-96 — Two Shoulder Tablet Harness  
5200-39-052 — Quick Release Bracket Adapter

For more information go to [Surveying.com](http://Surveying.com)

## Safety and Surveyors Utility Vests and Hydration Backpacks

### Safety Utility Vests

▶ Retroreflective and Active Lighting Features minimize injury risk by making workers visible in dark or poorly lit environments



▶ Power capacity 5000 mAh

Note: Item can be purchased separately

D13038 — SECO Power Bank 5000 mAh

8565-Series

▶ Designed to meet ANSI/ISEA Class 2 Standards



60mph – perception 88 ft – braking distance 180 ft = 268 ft (82 meters)



8365-Series



8265-Series



8068-Series



### Hydration Backpack

▶ Stay hydrated on the job while maintaining workplace safety



8125-60-FOR



8069-Series



## Bags

► Designed to keep your field equipment and supplies safe and secure



8095-20-ORG —  
Heavy-Duty Collapsible  
Bucket Bag



8098-00-ORG — Standard  
Spray Can Holder  
8098-10-ORG — With  
Accessory Pockets (shown)



8046-20-ORG —  
Construction-Style  
Tool Pouch



8092-20-ORG — Heavy-Duty 24-inch Bag  
for Stakes or Rebar



8102-01-ORG — 38 inch Lath Carrier



8104-20-ORG —  
Heavy-Duty Bucket  
Lath Carrier



8101-20-ORG — 48 inch  
Heavy-Duty Lath or  
Rebar Bag



8090-20-ORG — Heavy-Duty 18-inch Bag  
for Stakes or Rebar



## Miscellaneous

### ChrisNik MagNails®, MagSpikes® and MagHubs®



▶ Corrosion resistant and magnetized for easy detection

PART NO.	SIZE	QUANTITY	WEIGHTS
<b>ChrisNik MagNails</b>			
24750-CS	3/4 x 1/8 inch	100 per box, 12 box per case	7 lb/case
241000-CS	1 x 5/32 inch	100 per box, 12 box per case	11 lb/case
241250-CS	1 1/4 x 3/16 inch	100 per box, 12 box per case	18 lb/case
241500-CS	1 1/2 x 1/4 inch	100 per box, 12 box per case	33 lb/case
242000-CS	2 x 1/4 inch	100 per box, 12 box per case	41 lb/case
242500-CS	2 1/2 x 1/4 inch	100 per box, 12 box per case	48 lb/case
<b>ChrisNik MagSpikes</b>			
253MAGSPIKE	3/8 x 3 inch	25 per box	2.5 lb (1.13 kg)
256MAGSPIKE	3/8 x 6 inch	20 per box	4.00 lb (1.18 kg)
258MAGSPIKE	3/8 x 8 inch	20 per box	5.00 lb (2.27 kg)
<b>ChrisNik MagHubs</b>			
23MAGHUB6	1/4 x 6 inch	Approx...367	30.00 lb (13.61 kg)
23MAGHUB8	1/4 x 8 inch	Approx...272	30.00 lb (13.61 kg)

### Flagging Dispenser



▶ The steel Presco Roll Flagging Belt Dispenser is a convenient time-saver

8025-00-ORG — Padded Flagging Dispenser



### Map / Document Holder

- ▶ Map/Document holder hangs on the back or front of any vehicle seat
- ▶ Slots which hold four 6-inch (15.24 cm) diameter plans
- ▶ Front pocket accommodates a note pad, phone, or other small items
- ▶ Organizer strap holds pens, pencils, markers, and other necessary tools

8046-10-BLU — Map/Document Holder

### Cordura Shot Bag

- ▶ Shot bags are great for holding down maps or blueprints in windy conditions

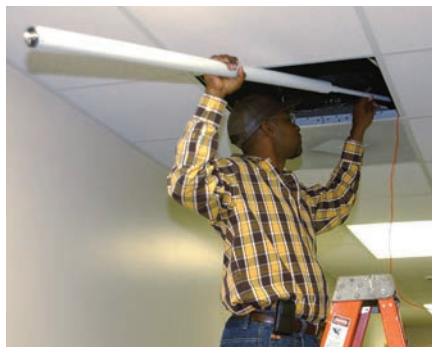


8010-10-BLU — Cordura Shot Bag

### Gopher Pole Wire Installation Tool

- ▶ With its long, adjustable span of up to 22 feet, the Gopher Pole makes wiring easy in hard-to-reach areas such as suspended ceilings, sub-rooms, crawl spaces and attics
- ▶ Ideal for pushing/pulling wire over long spans and acoustic ceiling tiles
- ▶ Telescopes from 4 to 22 feet (1.22 to 6.70 meters) in seconds
- ▶ Features a positive-locking system that won't accidentally collapse
- ▶ Features a strong but malleable metal tip that allows for easy shaping of the hook
- ▶ Sturdy and lightweight with no loose parts; constructed of durable non-conductive fiberglass
- ▶ Includes a carrying case

90520 — Gopher Pole Wire Installation Tool



## Measuring Tapes and Rulers

► Measuring tools for all situations



### Coated Fiberglass and Steel Measuring Tapes

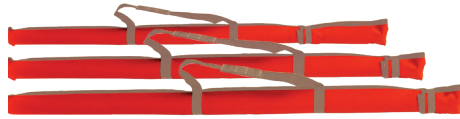
PART NO.	TYPE	LENGTH	GRADS
3003-06	PVC-Coated Fiberglass	100 ft	10ths
3003-07	PVC-Coated Fiberglass	200 ft	10ths
3006-06	Nylon-Coated Steel	100 ft	10ths
3006-07	Nylon-Coated Steel	200 ft	10ths
3006-17	Nylon-Coated Steel	200 ft	8ths / 10ths (Dual Grad)
3006-08	Nylon-Coated Steel	300 ft	10ths
3003-08	PVC-Coated Fiberglass	300 ft	10ths



4770-00 — Rhino Ruler Waterproof Fiberglass Engineer's Folding Ruler 10ths / 8ths  
4770-01 — Rhino Ruler Waterproof Fiberglass Engineer's Folding Ruler 10ths / Metric



► A versatile tool for fast, accurate, one-person measuring, the CMR Series is the tool for measuring heights, clearances and horizontal distances up to fifty feet



90180 — CMR Series Measuring Ruler and Case – 25 ft (7.6 m)  
90181 — CMR Series Measuring Ruler and Case – 36 ft (11 m)  
90182 — CMR Series Measuring Ruler and Case – 50 ft (15.2 m)

### Heavy-Duty Pocket Tape



PART NO.	LENGTH	WIDTH	GRADS
4769-00	25 ft	1 inch (32 mm)	10ths
4769-02	25 ft	1 inch (32 mm)	10ths / 8ths
4769-03	33 ft	1 inch (32 mm)	10ths
4769-04	33 ft	1 inch (32 mm)	10ths / 8ths

## Plumb Bobs, Sheaths and Gammon Reel®

► Each solid brass bob features a hardened steel point and a storage area for a spare point



6000-016	16 oz	454 g
6000-018	18 oz	510 g

► Heavy-duty sheath is double stitched top grain leather with a belt loop for SECO plumb bobs



6000-160 — Leather Sheath for 14-18 oz (397-454 g)

► The Gammon Reel® is almost a given on any job site  
► The 24 yard (22 m) refillable cord comes in many colors



6001-06 — Gammon Reel 7 ft (2 m)  
6001-12 — Gammon Reel 12 ft (3.7 m)

## Rite in the Rain Field Books

► Rite in the Rain all-weather bound books ensure that your valuable data won't be lost

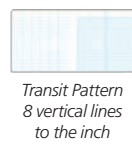


300F

300F — Transit Pattern Bound Books  
310F — Level Pattern Bound Books



310F



Transit Pattern  
8 vertical lines  
to the inch



Level Pattern  
6 vertical columns  
on the page



303

303 — Transit pattern Recyclable Side-spiral Notebook  
353 — Field pattern Recyclable Side-spiral Notebook



353



311FX

311FX — Level pattern Side-stapled Notebook for Tough Conditions  
301FX — Transit pattern Side-stapled Notebook for Tough Conditions



301FX

SECO is a world-wide provider of quality accessory products for professionals in the field. The Construction, Survey, Safety, GNSS/GIS Data Collection, Energy, Agriculture, Mining and Monitoring industries all require the best tools for the best results, and SECO dealers can supply not just the best, but the widest product line available.



## About SECO

SECO offers a wide variety of accessory products used with surveying instruments, GPS/GNSS, GIS, and construction equipment. These include telescopic poles, carrying cases, backpacks, GPS antenna poles, surveying instrument tripods, prism systems for use with electronic distance meters, construction levels, and leveling rods.

4155 Oasis Road | Redding | California | 96003  
Phone: (530) 225-8155 | Fax: (530) 225-8162 | Email: [seco@surveying.com](mailto:seco@surveying.com)

+49/6301-711414  
[order\\_admin\\_kaiserslautern@trimble.com](mailto:order_admin_kaiserslautern@trimble.com)

**surveying.com**